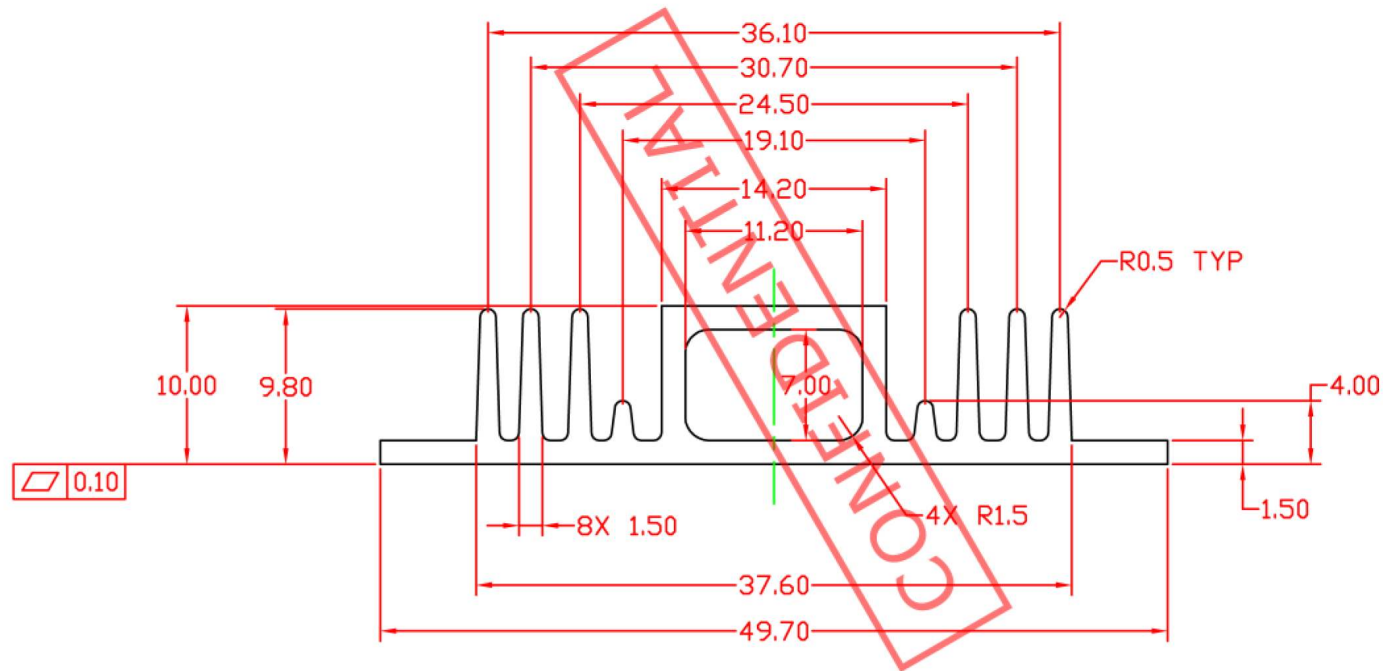



SCALE 1:1



NOTES:

1. THE SECTION AREA = 186.19mm².
2. EXTRUSION WEIGHT : 0.508Kg/m .

TOLERANCES UNLESS NOTED (mm)		CUSTOMEER: -	MODEL: -	 CUSTOMER Thermal Solution www.alplus.us	
DIMENSION	TOLERANCE	CUSTOMER P/N: -	Rev: -		
X.	±0.60	MAT'L: AL 6063-T5	FINISH: NONE	DWG NO. E012	Rev. A
X.X	±0.40	CHK :			
X.XX	±0.25	DR : Dan NOV/09/2005		SCALE: 2:1	SHEET: 1/1
ANGLES	±1°				