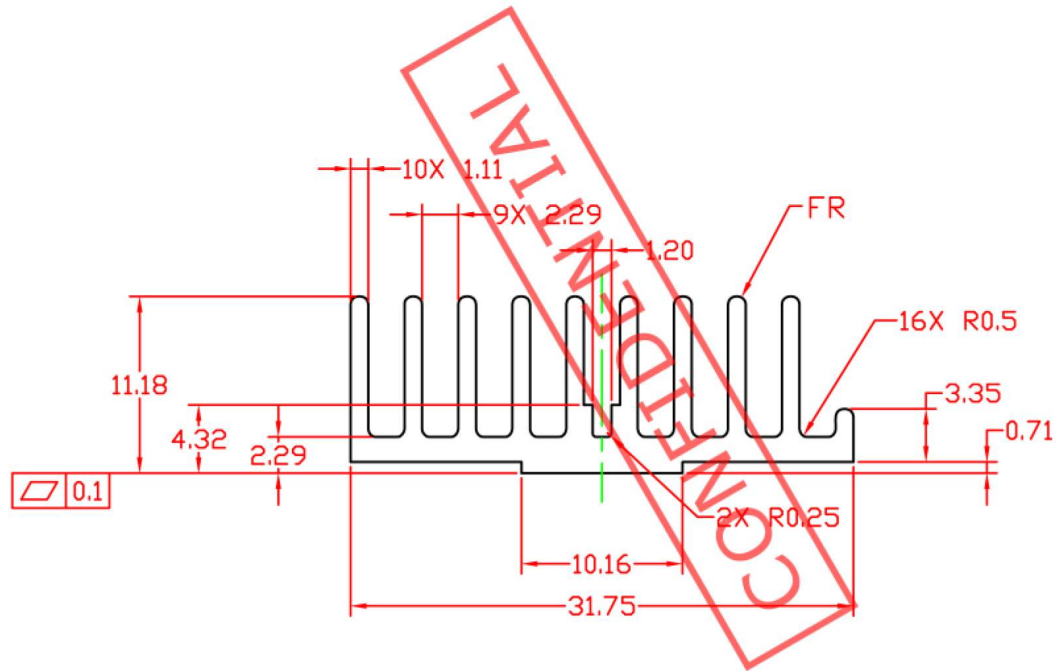


SCALE 1:1



NOTES:

1. THE SECTION AREA =150.65mm².
2. EXTRUSION WEIGHT : 0.411Kg/m .
3. EXT 500T.

TOLERANCES UNLESS NOTED (mm)		CUSTOMER P/N. -	Rev. -	 <small>Customized Thermal Solution www.alplus.us</small>	
DIMENSION	TOLERANCE	MAT'L: AL 6063-T5	FINISH: NONE	TITLE: HEATSINK EXTRUSION	
X.	±0.60	CHK :		DWG NO. E027	Rev. A
X.X	±0.40	DR : Dan NOV/09/2005		SHEET: 1/1	
X.XX	±0.25				
ANGLES	±1°				