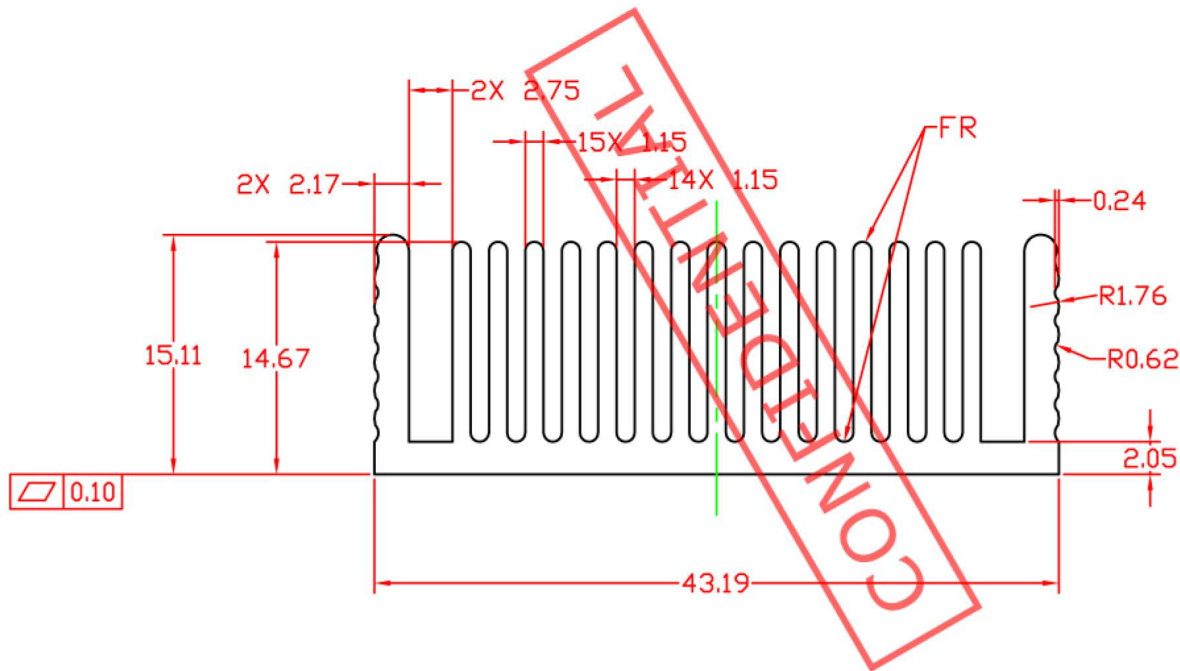



SCALE 1:1



NOTES:

1. THE SECTION AREA = 359.00mm<sup>2</sup>.
2. EXTRUSION WEIGHT : 0.980Kg/m .

TOLERANCES UNLESS NOTED (mm)		CUSTOMEER: -	MODEL -	 <small>Customized Thermal Solution www.alplus.us</small>	
DIMENSION	TOLERANCE	CUSTOMER P/N. -		Rev. -	TITLE: HEATSINK EXTRUSION
X.	±0.60	MAT'L: AL 6063-T5	FINISH: NONE		DWG NO. E029
X.X	±0.40	CHK :			Rev. A
X.XX	±0.25	DR : Dan NOV/09/2005			SCALE: 2:1
ANGLES	±1°				SHEET: 1/1