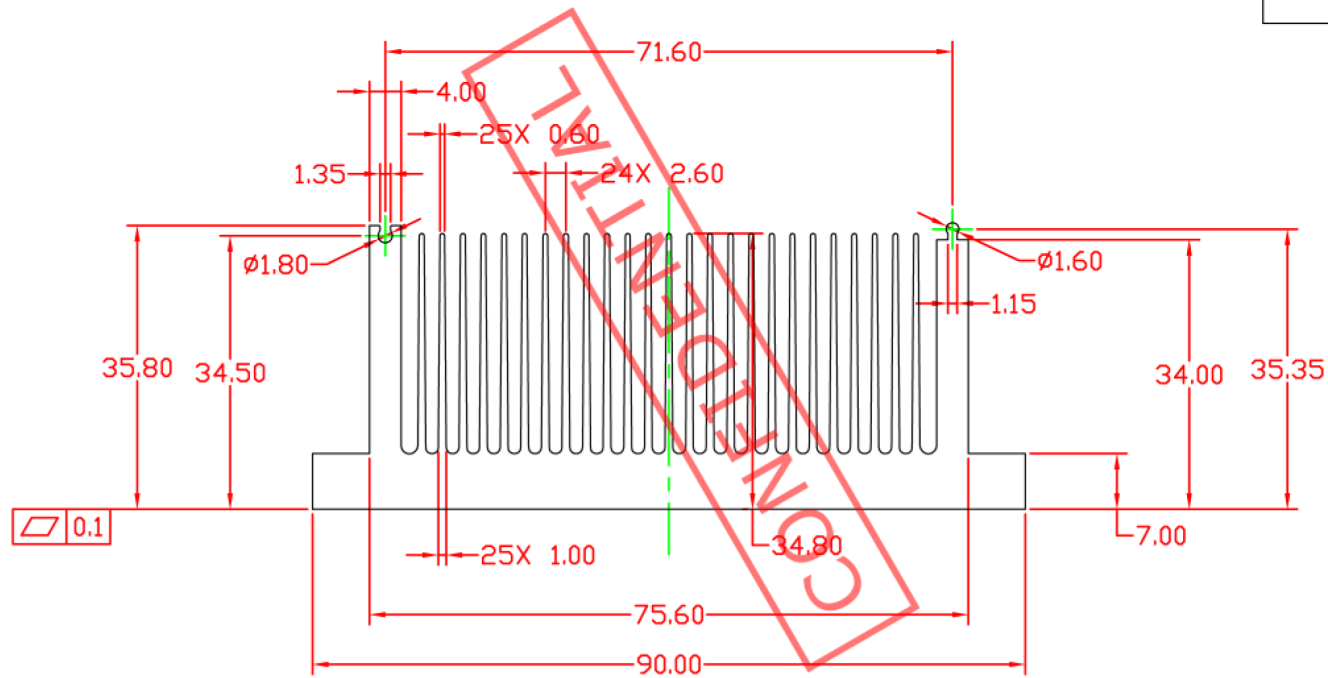



ASSY
SCALE 0.5:1



NOTES:

1. THE SECTION AREA = 1413.69mm².
2. EXTRUSION WEIGHT : 3.859Kg/m .
3. EXT 880T.

TOLERANCES UNLESS NOTED (mm)		CUSTOMER P/N.	Rev.	 CUSTOMER THERMAL SOLUTION www.alplus.us	
DIMENSION	TOLERANCE	MAT'L:	FINISH:	TITLE:	
X.	±0.60	AL 6063-T5	NONE	HEATSINK EXTRUSION	
X.X	±0.40	CHK :		DWG NO.	Rev.
X.XX	±0.25	DR : Dan NOV/09/2005		E062	A
ANGLES	±1°	SCALE: 1:1		SHEET: 1/1	