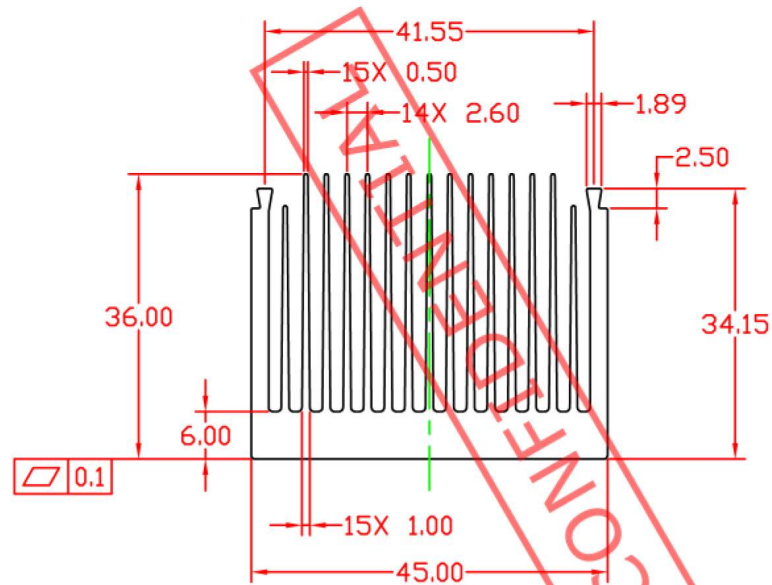
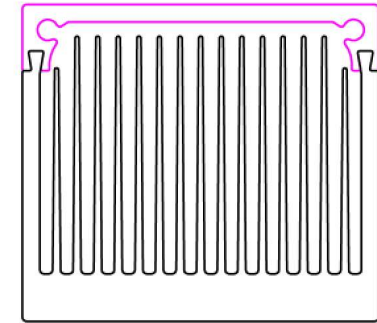


TOP




BOTTOM



ASSY  
SCALE 1:1

NOTES:

1. THE SECTION AREA: TOP=129.91mm<sup>2</sup>.  
BOTTOM=772.26mm<sup>2</sup>.
2. EXTRUSION WEIGHT: TOP=0.355Kg/m .  
BOTTOM=2.108Kg/m .
3. EXT 500T(TOP).  
EXT 800T(BOTTOM).

TOLERANCES UNLESS NOTED (mm)		CUSTOMER P/N. -	Rev. -	 CUSTOMER Thermal Solution www.alplus.us	
DIMENSION	TOLERANCE	MAT'L: AL 6063-T5	FINISH: NONE	TITLE: HEATSINK EXTRUSION	
X.	±0.60	CHK :		DWG NO. E066	Rev. A
X.X	±0.40	DR : Dan NOV/09/2005		SCALE: 1:1	SHEET: 1/1
X.XX	±0.25				
ANGLES	±1°				