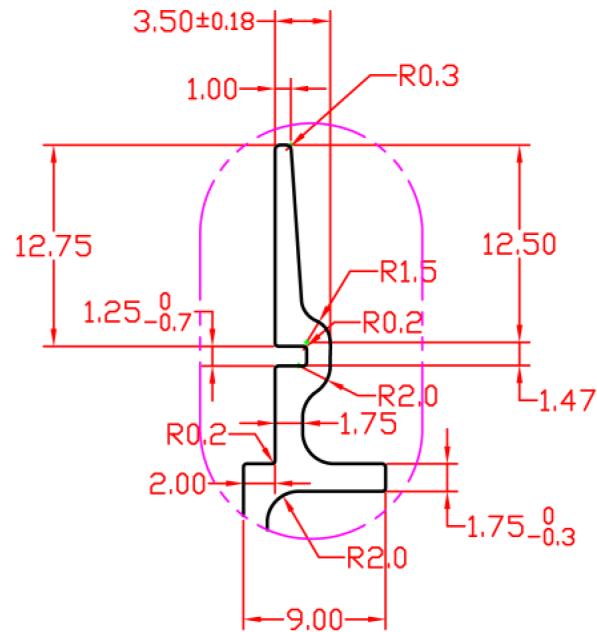
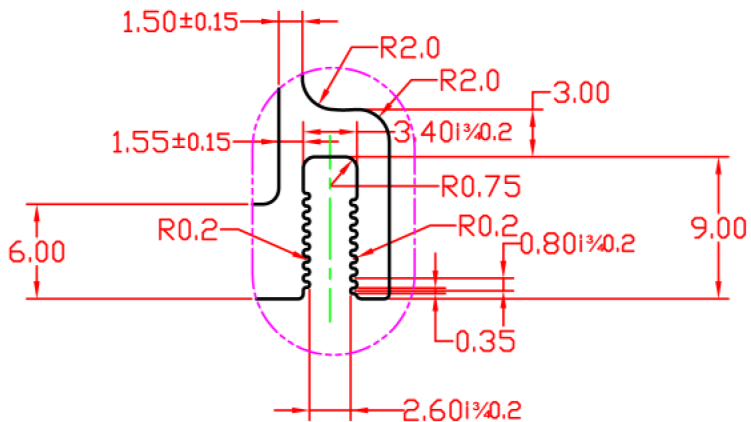


DETAIL C
SCALE 2:1



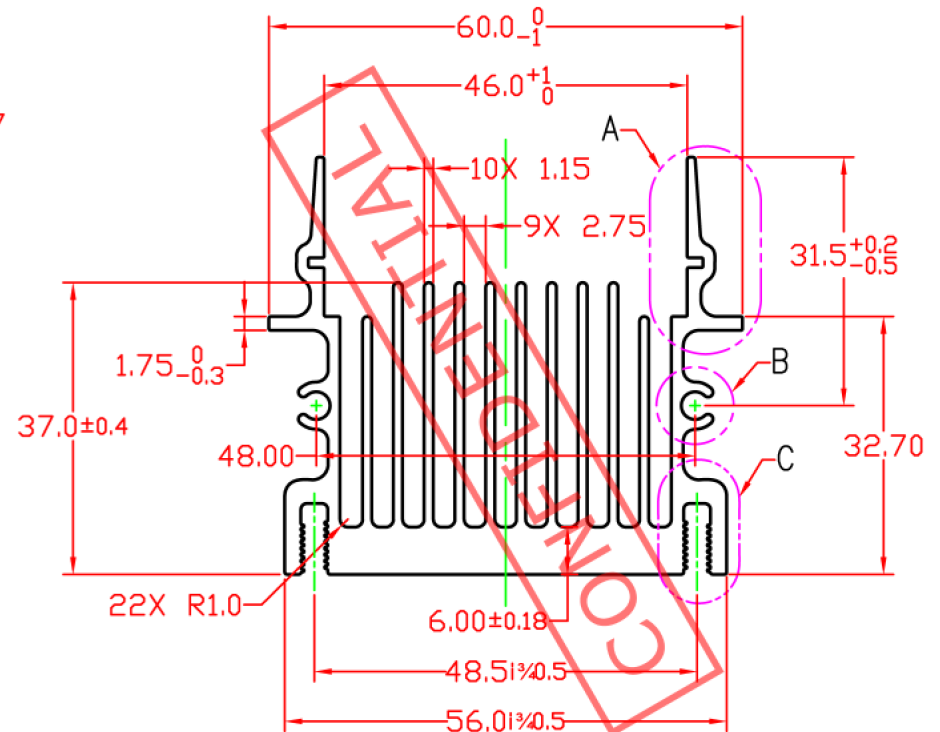
DETAIL A
SCALE 2:1




DETAIL B
SCALE 2:1

NOTES:

1. THE SECTION AREA = 900.50mm².
2. EXTRUSION WEIGHT : 2.450Kg/m .
3. FLATNESS: 0.10mm PER INCH OF WIDTH.



TOLERANCES UNLESS NOTED (mm)		CUSTOMER P/N.		ALPLUS P/N	 Customized Thermal Solution www.alplus.us	
DIMENSION	TOLERANCE	MATERIAL	FINISH:	Rev.	TITLE:	
X.	±0.60	AL 6063-T5	-	-	EXTRUSION	
X.X	±0.40	DRAWN BY : Dan		DWG NO.	Rev.	
X.XX	±0.25	DATE : May/04/2006		E5653	A	
ANGLES	±1°	SCALE: 1:1		SHEET: 1/1		