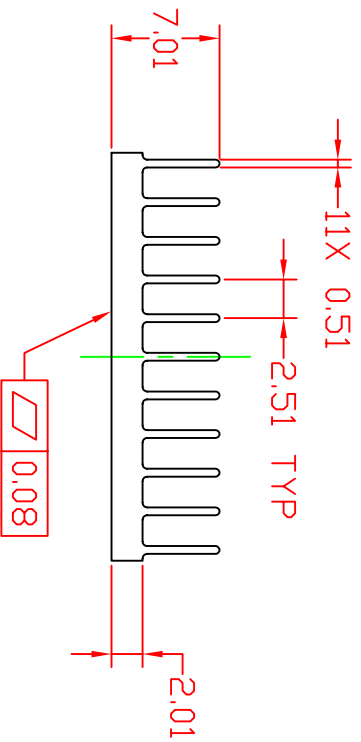
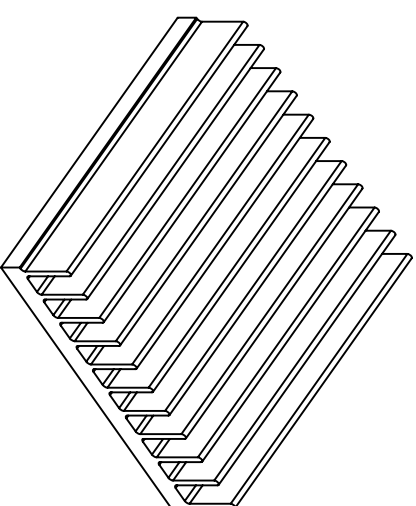
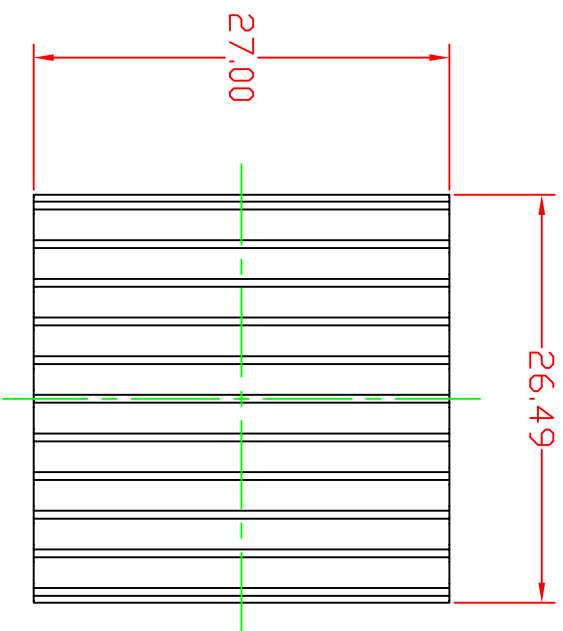
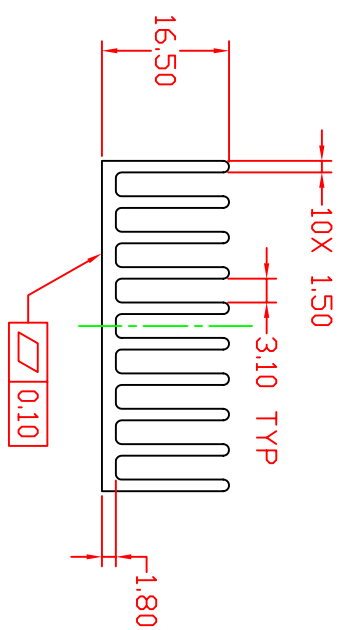
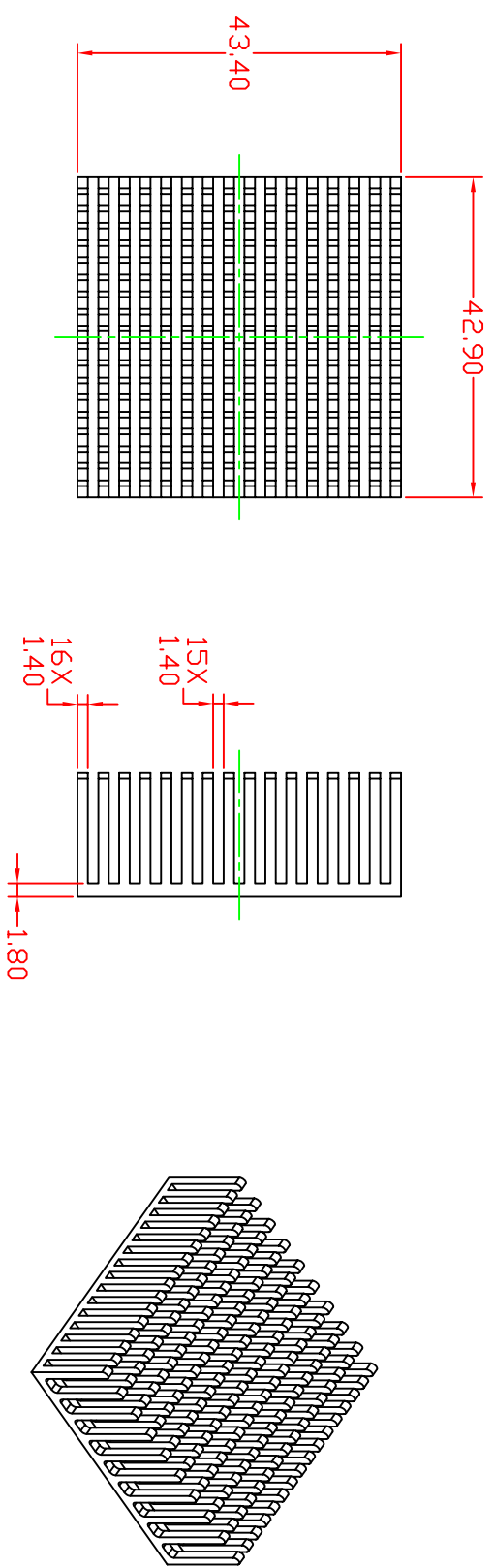


ITEM	PN#	DESCRIPTION	PRICE	DWG
1	ABW27L27H07T	BGA Heat sink	\$0.26	Page.2
2	ABW43L43H16	BGA Heat sink	\$0.50	Page.3
3	ABW38L38H16T	BGA Heat sink	\$0.48	Page.4
4	ABW45L45H10	BGA Heat sink	\$0.38	Page.5
5	ABW38L38H13T	BGA Heat sink	\$0.36	Page.6
6	ABW31L31H19T	BGA Heat sink	\$0.36	Page.7
7	ABW35L35H15T	BGA Heat sink	\$0.36	Page.8
8	ABW21L21H06	BGA Heat sink	\$0.26	Page.9
9	ABW40L40H06	BGA Heat sink	\$0.38	Page.10
10	ABW17L17H13T	BGA Heat sink	\$0.28	Page.11
11	ABW40L40H06-2	BGA Heat sink	\$0.38	Page.12
12	ABW45L41H12	BGA Heat sink	\$0.70	Page.13
13	ABW58L46H19T	BGA Heat sink	\$0.56	Page.14
14	ABW42L50H10	BGA Heat sink	\$0.66	Page.15




TOLERANCES UNLESS NOTED (mm)		CUSTOMER P/N	ALPLUS P/N	TITLE:	
DIMENSION	TOLERANCE		Rev. 1	HEAT SINK	
X.	±0.60	MATERIAL	AL 6063-T5	DWG NO. ABW27L27H07T	
X.X	±0.40	FINISH:	BLACK ANODIZE	Rev. A	
X.XX	±0.25	DRAWN BY :	Dgn	SCALE: 2:1	
ANGLES	±1°	DATE :	MAR/24/2007	SHEET: 1/1	



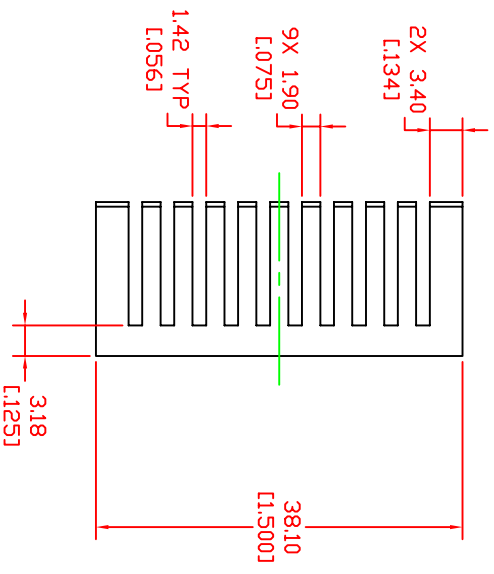
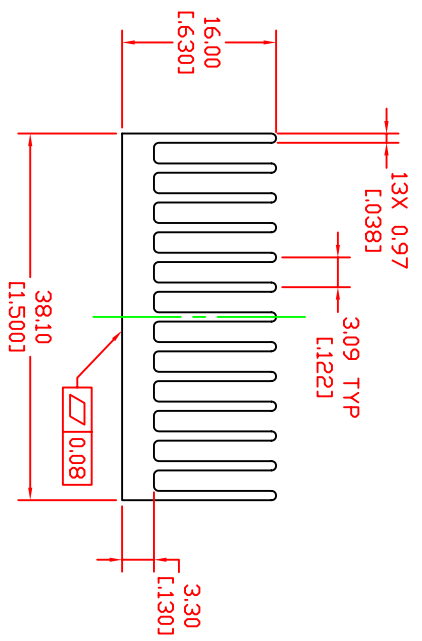
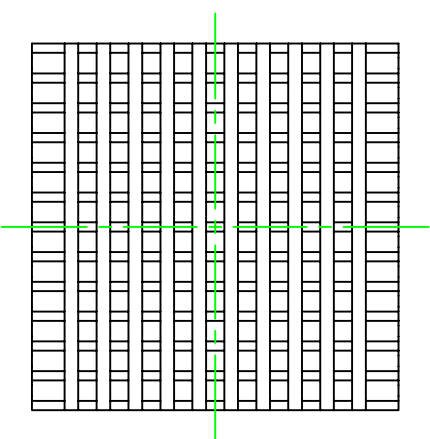


TOLERANCES UNLESS NOTED (mm)		CUSTOMER P/N.	ALPLUS P/N	TITLE:	
DIMENSION	TOLERANCE		Rev. -	HEAT SINK	
X.	±0.60	MATERIAL		DWG NO.	
X.X	±0.40	AL 6063-T5		ABW43L43H16	
X.XX	±0.25	FINISH:		Rev.	
ANGLES	±1°	BLACK ANODIZE		A	
		DRAWN BY : Kaven		SCALE: 1:1	SHEET: 1/1
		DATE : SEP/17/2009			



 Customized Thermal Solution

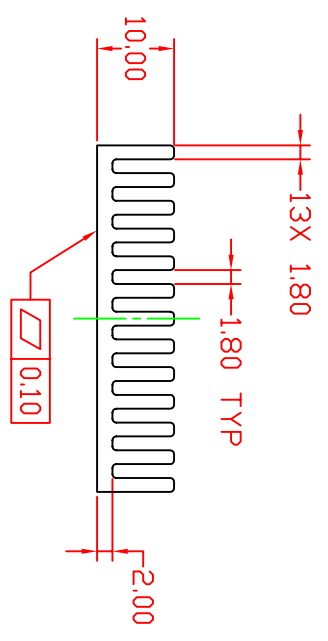
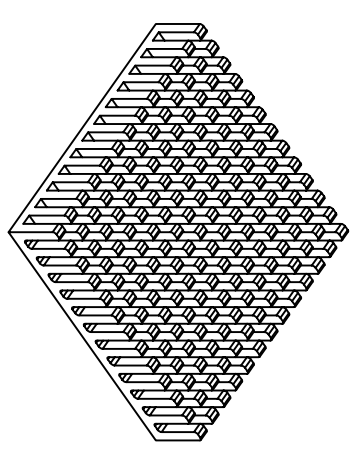
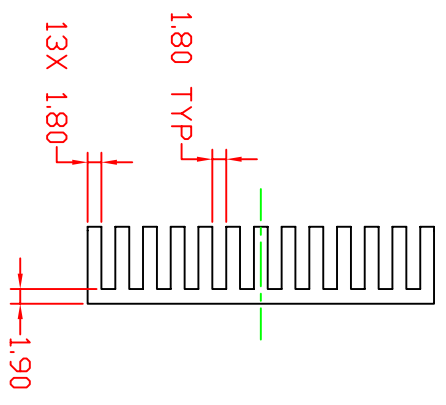
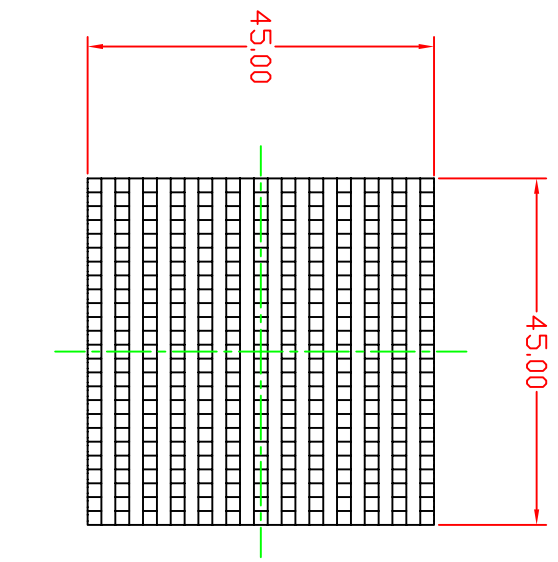
www.alplus.com



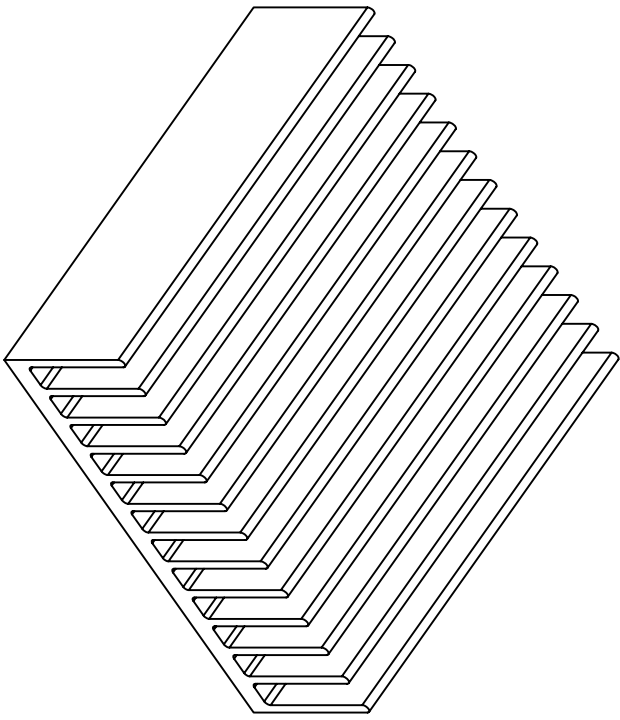
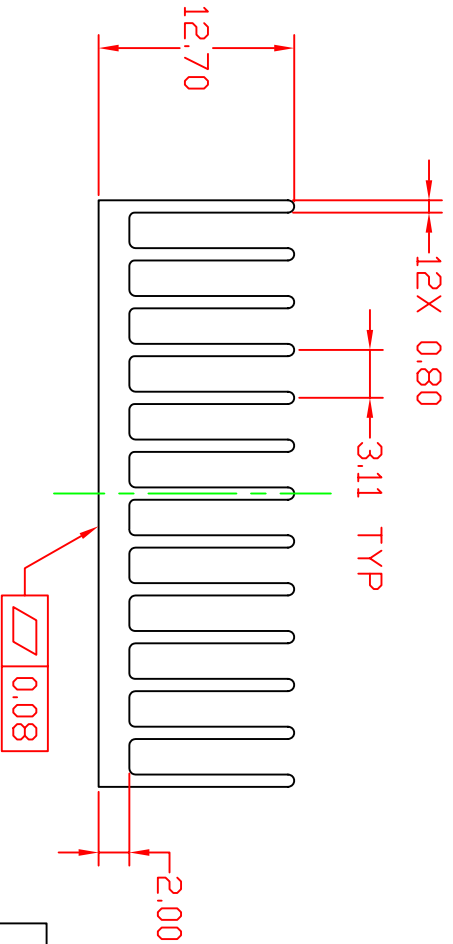
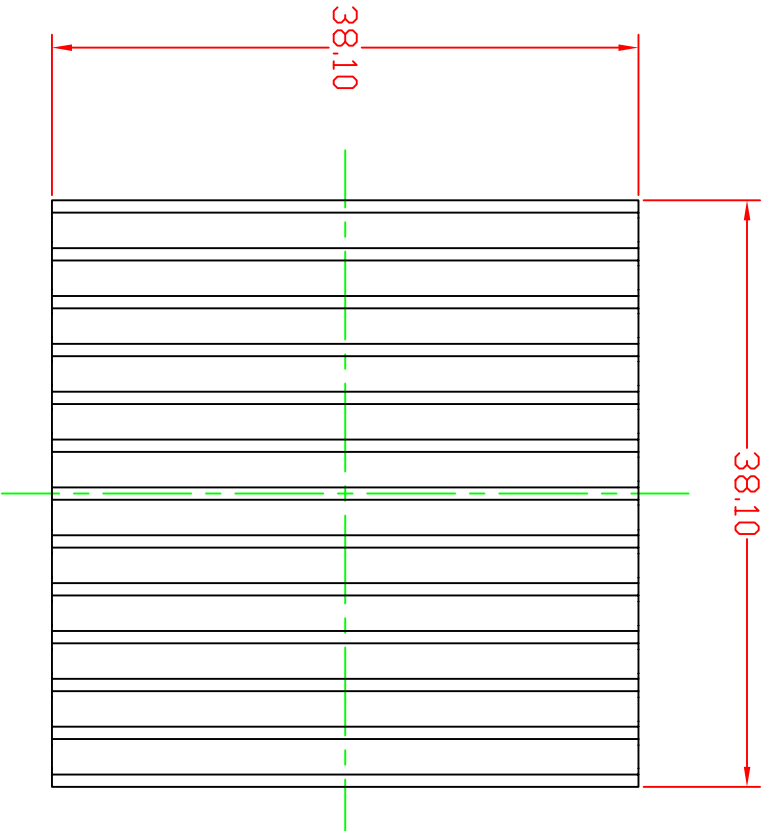
TOLERANCES UNLESS NOTED (mm)		CUSTOMER P/N	ALPLUS P/N	TITLE:	
DIMENSION	TOLERANCE	-	-	HEAT SINK	
X.	±0.60	MATERIAL: AL 6063-T5	Rev. -	DWG NO. ABW38L38H16T	
X.X	±0.40	FINISH: BLACK ANODIZE		Rev. A	
X.XX	±0.25	DRAWN BY: Dgn		SCALE: 1.2:1	SHEET: 1/1
ANGLES	±1°	DATE: MAR/23/2007			



 Customized Thermal Solution

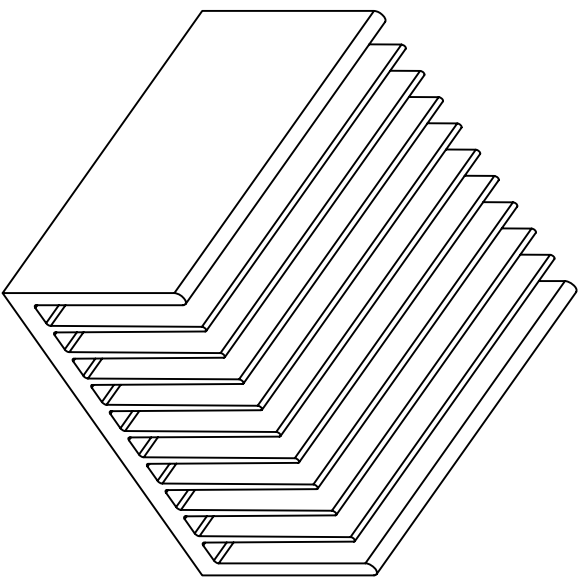
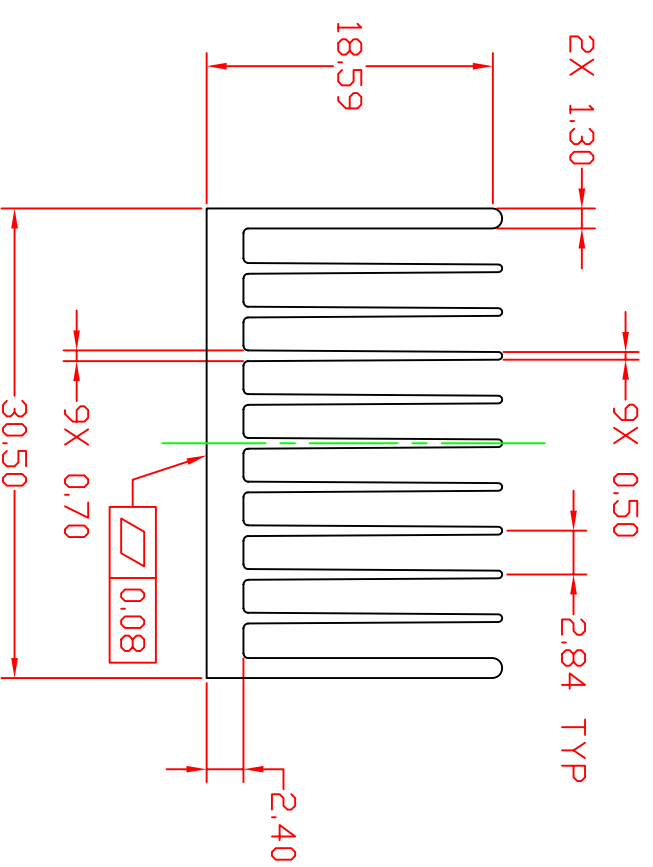
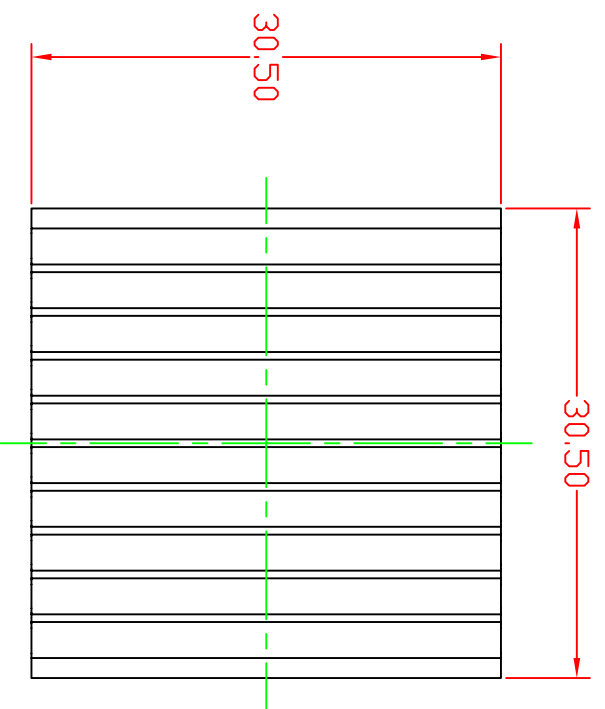


TOLERANCES UNLESS NOTED (mm)		CUSTOMER P/N:	ALPLUS P/N	TITLE:	
DIMENSION	TOLERANCE	ABW45L45H10	-	HEAT SINK	
X.	±0.60	MATERIAL	Rev.	ALPLUS Customized Thermal Solutions www.alplus.com	
X.X	±0.40	AL 6063-T5	-	DWG NO.	
X.XX	±0.25	FINISH:		ABW45L45H10	
ANGLES	±1°	BLACK ANODIZE		SCALE:	1:1
		DRAWN BY : Dgn		SHEET:	1/1
		DATE : MAR/24/2007			



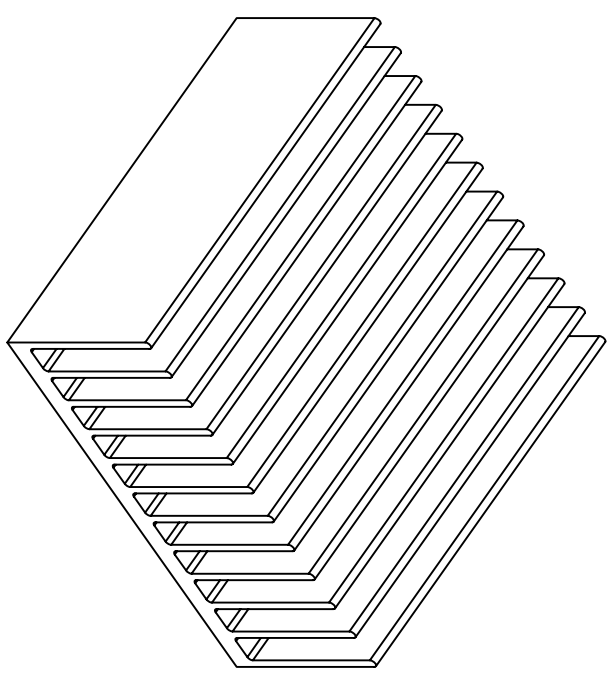
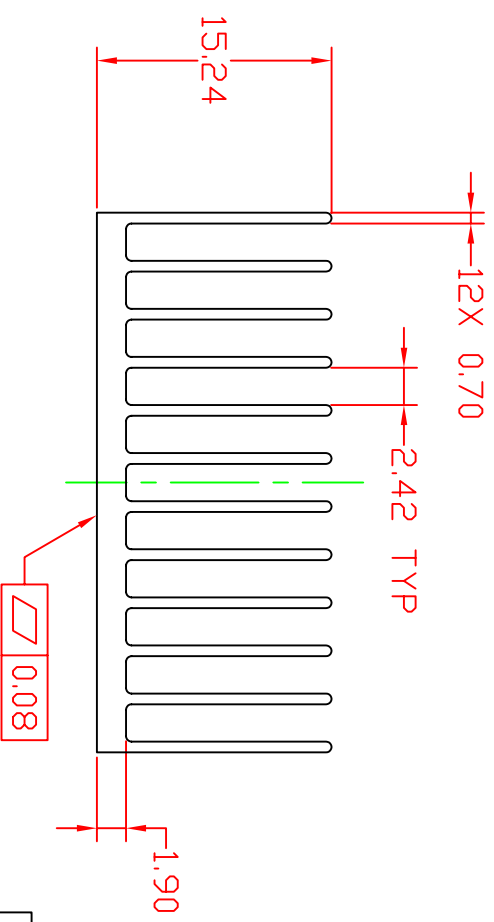
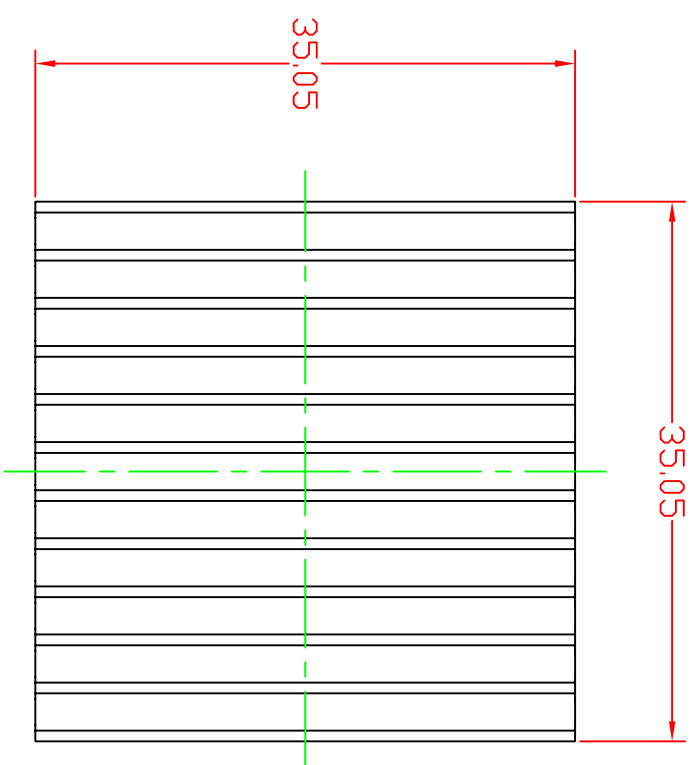
TOLERANCES UNLESS NOTED (mm)		CUSTOMER P/N	ALPLUS P/N	TITLE
DIMENSION	TOLERANCE	-	-	HEAT SINK
X.	±0.60	MATERIAL	AL 6063-T5	DWG NO.
X.X	±0.40	FINISH:	BLACK ANODIZE	ABW38L38H13T
X.XX	±0.25	DRAWN BY :	Dgn	Rev.
ANGLES	±1°	DATE :	MAR/24/2007	A
		SCALE:	2:1	SHEET:
				1/1

ALPLUS
Customized Thermal Solution
www.alplus.com



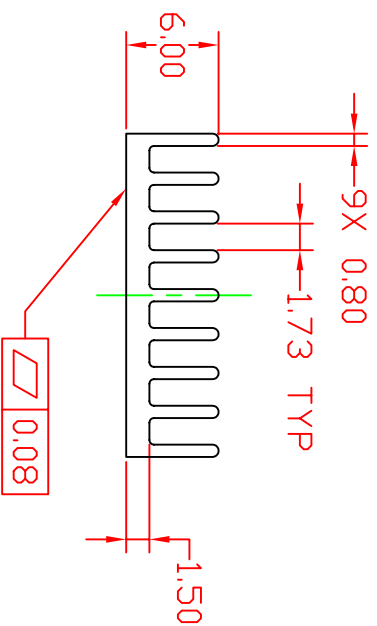
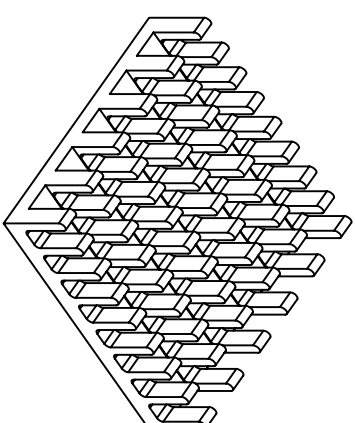
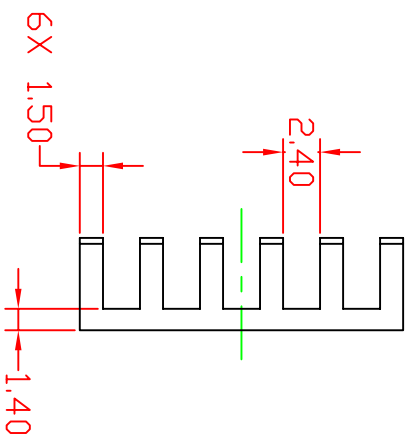
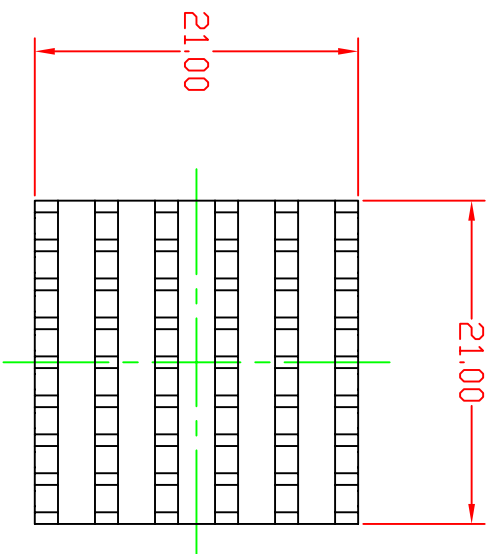
TOLERANCES UNLESS NOTED (mm)		CUSTOMER P/N		ALPLUS P/N	
DIMENSION	TOLERANCE	MATERIAL	FINISH	Rev.	TITLE
X.	±0.60	AL 6063-T5	BLACK ANODIZE	-	HEAT SINK
X.X	±0.40	DRAWN BY : Dgn			DWG NO. ABW31L31H19T
X.XX	±0.25	DATE : MAR/24/2007			Rev. A
ANGLES	±1°				SCALE: 2:1 SHEET: 1/1



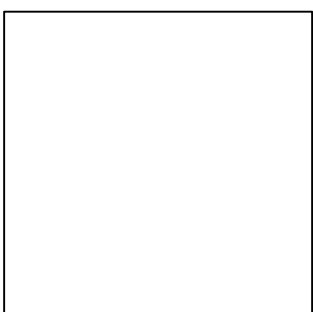
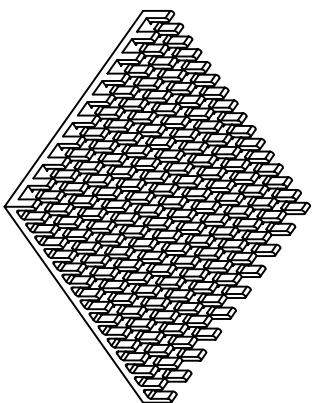
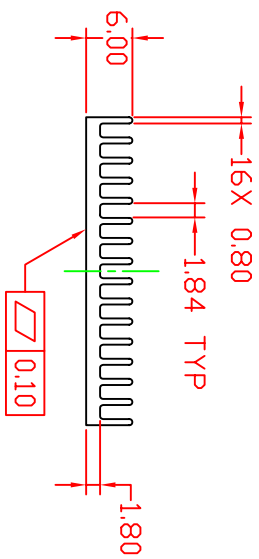
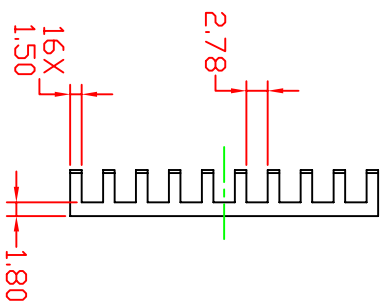
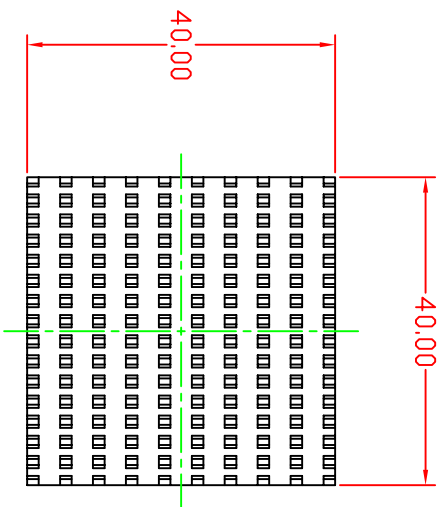



TOLERANCES UNLESS NOTED (mm)		CUSTOMER P/N	ALPLUS P/N	TITLE:	
DIMENSION	TOLERANCE	-	-	HEAT SINK	
X.	±0.60	MATERIAL	AL 6063-T5	FINISH:	DWG NO.
X.X	±0.40	DRAWN BY :	Dgn	BLACK ANODIZE	ABW35L35H15T
X.XX	±0.25	DATE :	MAR/24/2007		Rev. A
ANGLES	±1°			SCALE:	2:1
				SHEET:	1/1

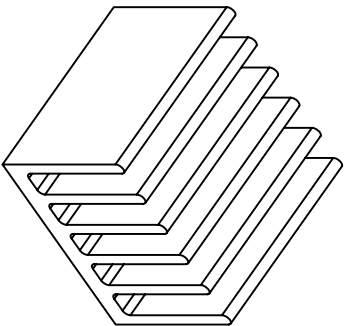
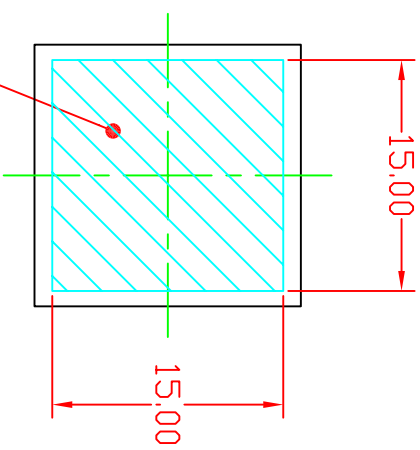
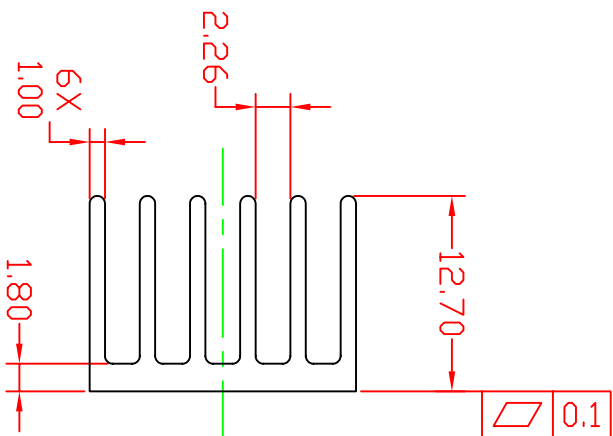
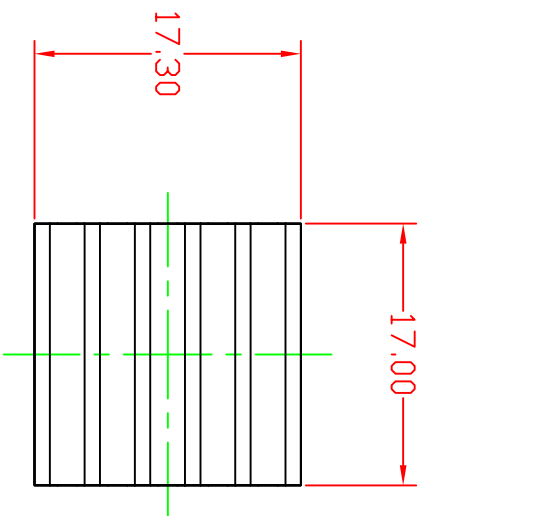




TOLERANCES UNLESS NOTED (mm)		CUSTOMER P/N: -	ALPLUS P/N: -	TITLE: HEAT SINK	
DIMENSION	TOLERANCE	MATERIAL: AL 6063-T5	Rev. 1	DWG NO. ABW211L21H06	
X.	±0.60	FINISH: BLACK ANODIZE		SCALE: 2:1	Rev. A
X.X	±0.40	DRAWN BY: Dgn		SHEET: 1/1	
X.XX	±0.25	DATE: MAR/27/2007			
ANGLES	±1°				

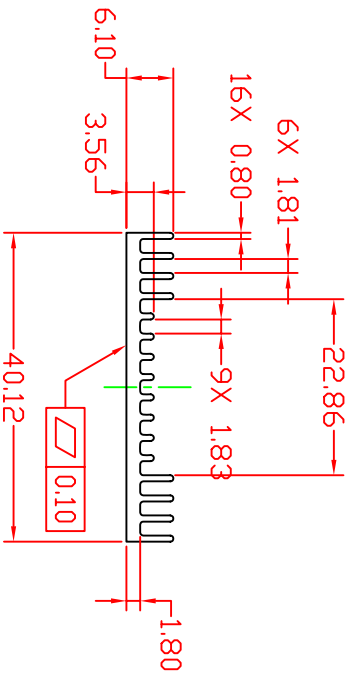
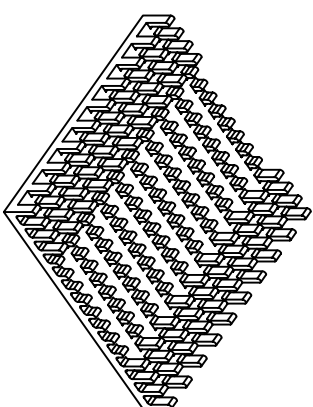
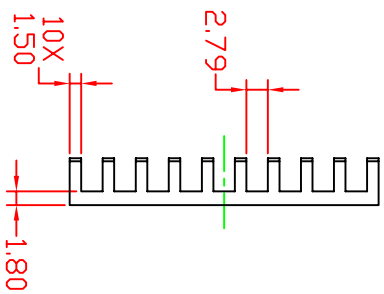
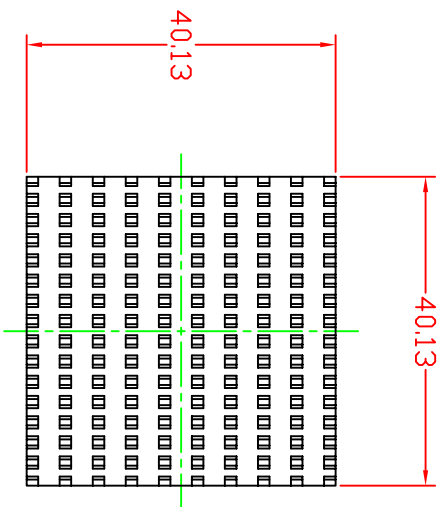


TOLERANCES UNLESS NOTED (mm)		CUSTOMER P/N:	ALPLUS P/N	TITLE:	
DIMENSION	TOLERANCE		Rev. -	HEAT SINK	
X.	±0.60	MATERIAL		AL 6063-T5	
X.X	±0.40	FINISH:		BLACK ANODIZE	
X.XX	±0.25	DRAWN BY :		Kaven	
ANGLES	±1°	DATE :		SEP/17/2009	
			SCALE:	1:1	SHEET: 1/1
			DWG NO.	ABW40L40H06	Rev. A
			 Customized Thermal Solutions www.alplus.com		

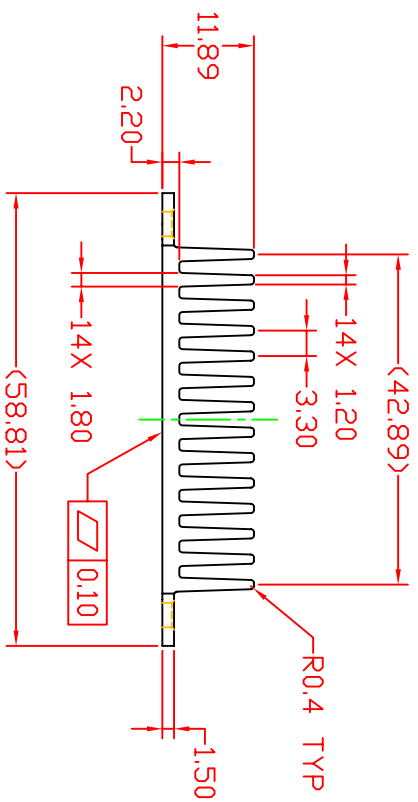
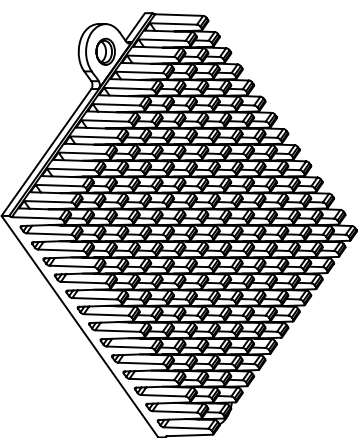
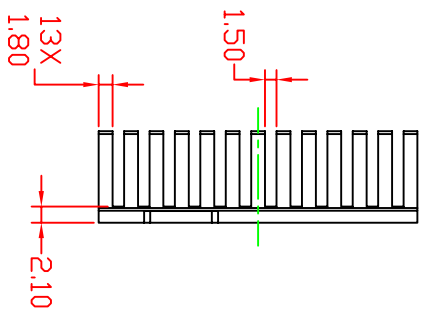
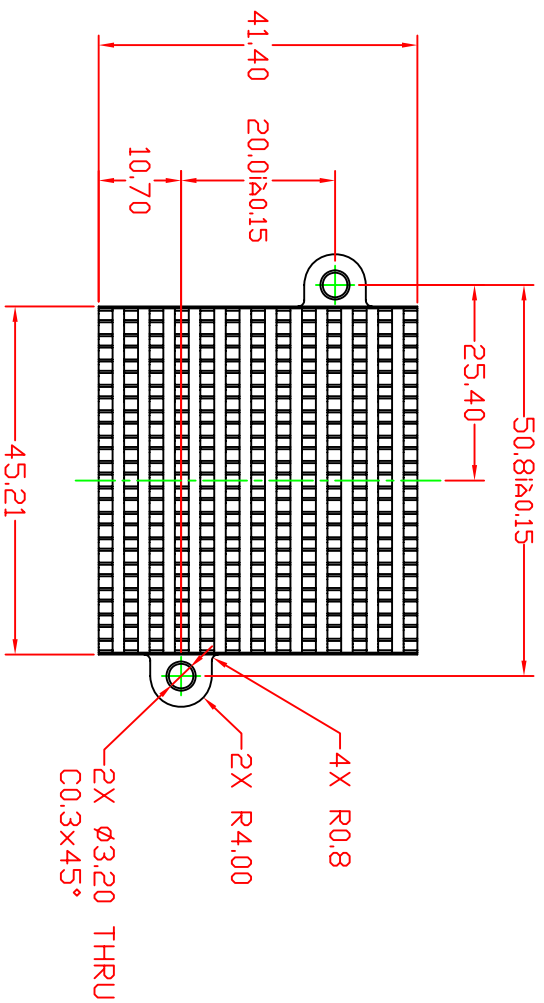


APPLY OPTION DOUBLE SIDED
TAPE IN AREA AS SHOWN

TOLERANCES UNLESS NOTED (mm)		CUSTOMER P/N	ALPLUS P/N	ALPLUS Customized Thermal Solutions www.alplus.com	
DIMENSION	TOLERANCE	Rev.	1	TITLE: HEAT SINK	
X.	±0.60	MATERIAL	AL 6063-T5	FINISH:	BLACK ANODIZE
X.X	±0.40	DRAWN BY :	Dgn	DWG NO.	ABW17L17H13T
X.XX	±0.25	DATE :	MAY/16/2007	SCALE:	2:1
ANGLES	±1°			SHEET:	1/1
				Rev.	A

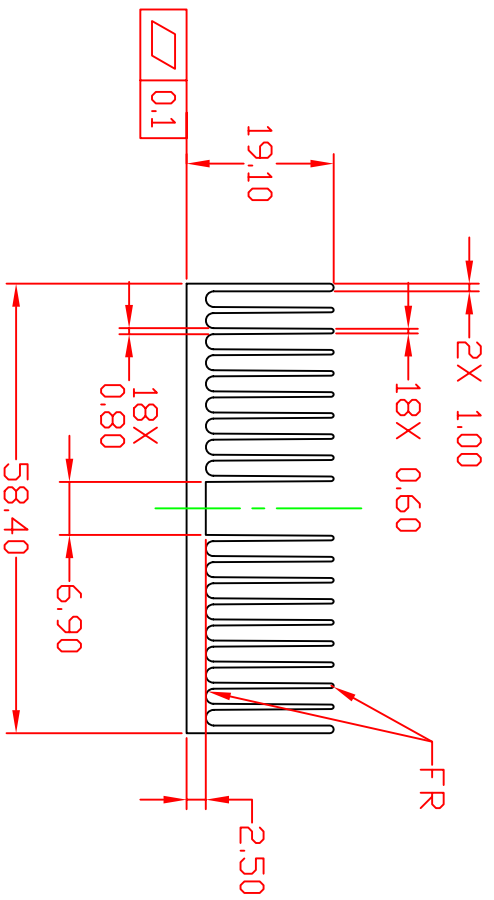


ALPLUS P/N -		ALPLUS Customized Thermal Solutions www.alplus.com	
Rev. -		TITLE: HEAT SINK	
CUSTOMER P/N:		MATERIAL: AL 6063-T6	FINISH: BLACK ANODIZE
TOLERANCES UNLESS NOTED (mm)		DWG. NO. ABW40L40H06-2	
DIMENSION	TOLERANCE	Rev. A	
X.	±0.60	SCALE: 1:1	
X.X	±0.40	SHEET: 1/1	
X.XX	±0.25		
ANGLES	±1°		
DRAWN BY: Dgn		DATE: MAY/17/2007	

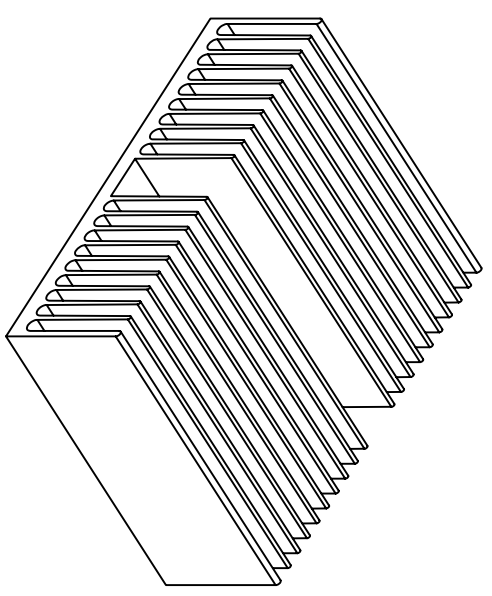
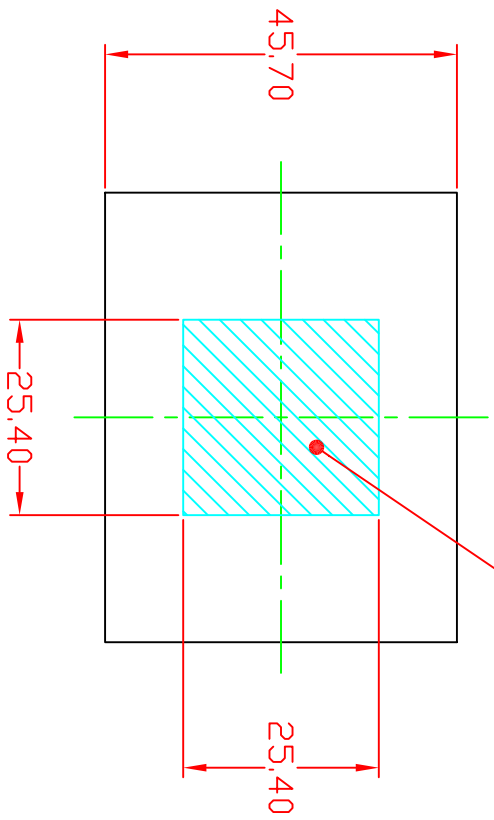


TOLERANCES UNLESS NOTED (mm)		CUSTOMER P/N	ALPLUS P/N	TITLE:	
DIMENSION	TOLERANCE	-	-	HEAT SINK	
X.	±0.60	MATERIAL	AL 6063-T5	FINISH:	BLACK ANODIZE
X.X	±0.40	DRAWN BY :	Dgn	DWG NO.	ABW45L41H12
X.XX	±0.25	DATE :	MAY/14/2007	SCALE:	1:1
ANGLES	±1°	Rev.	-	SHEET:	1/1



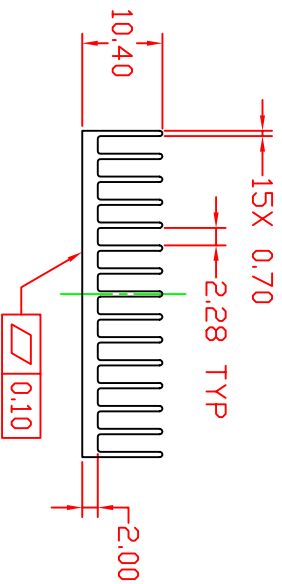
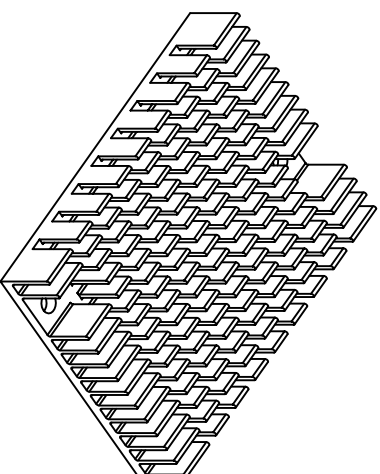
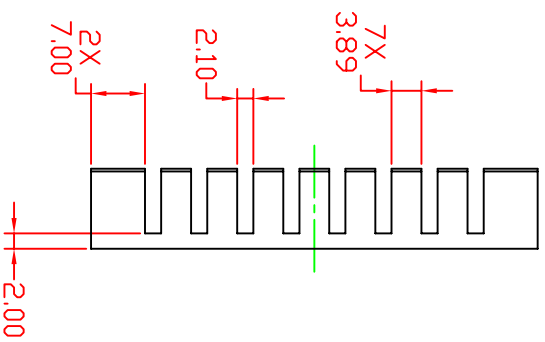
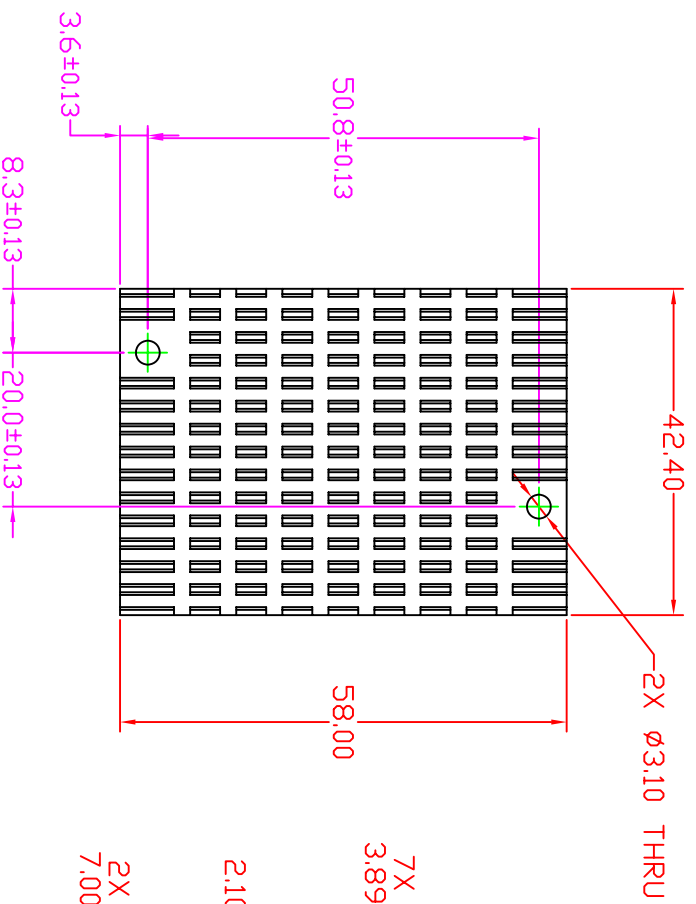


Apply Thermogon PCM905C Thermal Interface Material



TOLERANCES UNLESS NOTED (mm)		CUSTOMER P/N	ALPLUS P/N	TITLE:	
		-	-	HEAT SINK	
DIMENSION	TOLERANCE	MATERIAL	FINISH:	DWG NO.	Rev.
.X	±0.40	AL 6063-T5	BLACK ANODIZE	ABW58L46H19T	A
X.XX	±0.25	DRAWN BY :	Don	SCALE:	1:1
X.XXX	±0.13	DATE :	MAR/27/2006	SHEET:	1/1
ANGLES	±0.5°				





TOLERANCES UNLESS NOTED (mm)		CUSTOMER P/N.		ALPLUS P/N		TITLE:		
DIMENSION	TOLERANCE	Rev.		-		HEAT SINK		
X.	±0.60	MATERIAL		AL 6063-T5		DWG. NO.		
X.X	±0.40	FINISH:		BLACK ANODIZE		ABW42L50H10		
X.XX	±0.25	DRAWN BY :		Dgn		Rev.		
ANGLES	±1°	DATE :		AUG/15/2007		SCALE: 1:1		
							SHEET: 1/1	

